

SMALTATURA BLUE-TECH
BLUE-TECH ENAMEL

MILANO **heizer**

ACCUMULATORI ACS GRANDE CAPACITÀ HI-STORAGE BUFFER VESSELS FOR DHW

ATV

Capacità/Storage: 1500 ÷ 10000 lt

Protezione catodica ad anodo di magnesio
Magnesium anode protection



Resistenze elettriche si possono
applicare su tutti i modelli

Heating elements
can be fitted on all models

ACCUMULATORI ACS A GRANDE CAPACITÀ

Accumulatori di **grande capacità** utilizzati per lo stoccaggio di acqua calda sanitaria, anche in connessione con uno **scambiatore a piastre**

Serbatoio: smaltato in blue-tech

Pressione d'esercizio: max 6 bar,
Temperatura d'esercizio: max 85°C

Trattamento protettivo interno: smaltatura Blue-tech con resine termoindurenti idonee per l'uso con acqua potabile

Coibentazione: poliuretano flessibile 100mm + polietilene cellule chiuse 20mm (1500 e 2000 lt.),
poliuretano flessibile 100mm (da 2500 a 10000 lt.).

Rivestimento: esterno in PVC

Accessori di serie: flangia d'ispezione per favorire la pulizia interna e i lavori di manutenzione.

Su richiesta: Resistenze elettriche di varia potenza, e relativo termostato.

HIGH STORAGE CYLINDERS FOR DHW

Blue tech enamelled **high storage** cylinders. Ideally designed for the storage of domestic hot water, even with a **PHE** package.

Cylinder: blue-tech enamelled

Max. working pressure: 6 bar,
Max. storage temperature: 85°C.

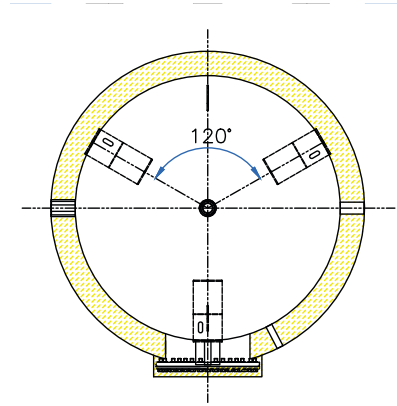
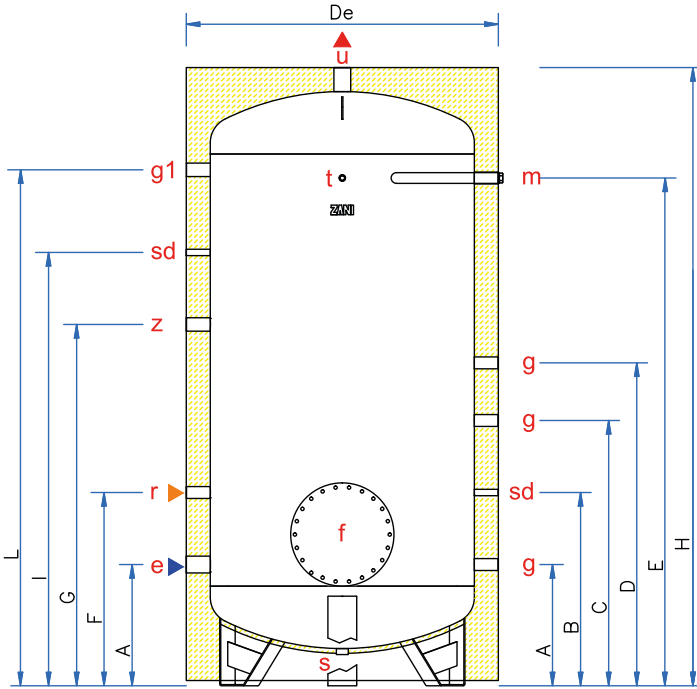
Internal lining: blue-tech enamel coating with thermosetting resins suitable for potable water.

Insulation: flexible polyurethane 100mm + closed-cell polyethylene 20mm (1500 and 2000 lt.),
flexible polyurethane 100mm (from 2500 to 10000 lt.)

Outer jacket: external jacket in PVC

Standard accessories: Inspection flange for cleaning and maintenance.

On request: Electric group, with immersion and thermostat.
Suitable for **unvented/vented** systems.



ATV-15 ÷ ATV-100

- | | | | |
|----|----------------------------------|----|------------------------------|
| e | ENTRATA ACQUA FREDDA | e | COLD WATER FEED |
| u | USCITA ACQUA CALDA | u | HOT WATER OUTLET |
| g | CONNESSIONE LIBERA | g | FREE CONNECTION |
| m | ANODO DI MAGNESIO | m | MAGNESIUM ANODE |
| f | FLANGIA DI ISPEZIONE | f | INSPECTION FLANGE |
| r | RICIRCOLO 1" 1/4 | r | SECONDARY RETURN 1" 1/4 |
| sd | POZZETTO SONDA/TERMOSTATO 1" 1/2 | sd | PROBE CONNECTION 1" 1/2 |
| t | CONNESSIONE TERMOMETRO 1/2" | t | THERMOMETER CONNECTION 1/2" |
| s | SCARICO | s | DRAIN |
| z | CONNESSIONE RES. ELETTRICA 1"1/2 | z | HEATING EL. CONNECTION 1"1/2 |
| g1 | CONNESSIONE LIBERA | g1 | FREE CONNECTION |

DATI TECNICI / TECHNICAL FEATURES

Modello	Litri	Ø attacchi					
		g-r	g1	e-u	z	sd	f
ATV-15	1500	1"1/4	-	2"	1"1/2	1/2"	300/380
ATV-20	2000	1"1/4	-	2"	1"1/2	1/2"	350/430
ATV-25	2500	1"1/4	-	2"1/2	1"1/2	1/2"	350/430
ATV-30	3000	1"1/4	-	3"	1"1/2	1/2"	350/430
ATV-40	4000	1"1/4	-	3"	1"1/2	1/2"	350/430
ATV-50	5000	1"1/4	-	3"	1"1/2	1/2"	350/430
ATV-60	6000	1"1/4	1"1/4	3"	1"1/2	1/2"	400/480
ATV-80	8000	1"1/4	1"1/4	3"	1"1/2	1/2"	400/480
ATV-100	10000	1"1/4	1"1/4	3"	1"1/2	1/2"	400/480

Model	Litres	Ø connections					
		g-r	g1	e-u	z	sd	f
ATV-15	1500	1"1/4	-	2"	1"1/2	1/2"	300/380
ATV-20	2000	1"1/4	-	2"	1"1/2	1/2"	350/430
ATV-25	2500	1"1/4	-	2"1/2	1"1/2	1/2"	350/430
ATV-30	3000	1"1/4	-	3"	1"1/2	1/2"	350/430
ATV-40	4000	1"1/4	-	3"	1"1/2	1/2"	350/430
ATV-50	5000	1"1/4	-	3"	1"1/2	1/2"	350/430
ATV-60	6000	1"1/4	1"1/4	3"	1"1/2	1/2"	400/480
ATV-80	8000	1"1/4	1"1/4	3"	1"1/2	1/2"	400/480
ATV-100	10000	1"1/4	1"1/4	3"	1"1/2	1/2"	400/480

DIMENSIONI / DIMENSIONS

Modello	Litri	A	B	C	D	E	F	G	I	L	H	De
ATV-15	1500	500	805	1100	1340	1810	800	1230	1515	-	2275	1240
ATV-20	2000	500	805	1100	1345	2115	800	1505	1805	-	2595	1340
ATV-25	2500	565	865	1165	1400	2150	850	1550	1850	-	2655	1400
ATV-30	3000	575	800	1050	1415	2350	850	1750	2050	-	2870	1450
ATV-40	4000	600	900	1200	1440	2380	870	1780	2080	-	2940	1600
ATV-50	5000	610	910	1210	1450	2385	885	1780	2085	-	2980	1800
ATV-60	6000	630	930	1470	1930	2230	880	1230	1470	2080	2820	2000
ATV-80	8000	630	930	1470	2130	2830	830	1180	1610	2680	3520	2000
ATV-100	10000	630	930	1470	2880	3580	830	1180	1610	3430	4270	2000

Model	Litres	A	B	C	D	E	F	G	I	L	H	De
ATV-15	1500	500	805	1100	1340	1810	800	1230	1515	-	2275	1240
ATV-20	2000	500	805	1100	1345	2115	800	1505	1805	-	2595	1340
ATV-25	2500	565	865	1165	1400	2150	850	1550	1850	-	2655	1400
ATV-30	3000	575	800	1050	1415	2350	850	1750	2050	-	2870	1450
ATV-40	4000	600	900	1200	1440	2380	870	1780	2080	-	2940	1600
ATV-50	5000	610	910	1210	1450	2385	885	1780	2085	-	2980	1800
ATV-60	6000	630	930	1470	1930	2230	880	1230	1470	2080	2820	2000
ATV-80	8000	630	930	1470	2130	2830	830	1180	1610	2680	3520	2000
ATV-100	10000	630	930	1470	2880	3580	830	1180	1610	3430	4270	2000

IMBALLO mm / PACKING mm

Modello	Altezza	Larghezza	Profondità	Peso kg
ATV-15	2370	1230	1230	250
ATV-20	2700	1320	1320	300
ATV-25	2770	1470	1470	340
ATV-30	2990	1470	1470	380
ATV-40	3060	1630	1630	525
ATV-50	3100	1830	1830	625
ATV-60	2940	2030	2030	770
ATV-80	3640	2030	2030	900
ATV-100	4390	2030	2030	1060

Model	Height	Width	Depth	Weight kg
ATV-15	2370	1230	1230	250
ATV-20	2700	1320	1320	300
ATV-25	2770	1470	1470	340
ATV-30	2990	1470	1470	380
ATV-40	3060	1630	1630	525
ATV-50	3100	1830	1830	625
ATV-60	2940	2030	2030	770
ATV-80	3640	2030	2030	900
ATV-100	4390	2030	2030	1060