

INOX 316L  
STAINLESS STEEL 316L

## ACCUMULATORI TERMICI IN ACCIAIO INOX

### STAINLESS STEEL BUFFER TANKS

# ATX

Capacità/Storage: 200 ÷ 5000 lt



### ACCUMULATORI TERMICI IN ACCIAIO INOX

Accumulatori in acciaio inox **AISI 316 L** di alta qualità, utilizzati per l'accumulo di acqua calda per uso potabile ed igienico sanitario.

**Serbatoio:** in acciaio inox AISI 316 L, sottoposto a trattamento di decappaggio e passivazione

Pressione d'esercizio max: 6 bar

Temperatura d'esercizio max: 95°C

Processo di saldatura: all'avanguardia, con metodi PAW (Plasma Arc Welding) e TIG (Tungsten Inert Gas)

**Coibentazione:** poliuretano flessibile 100 mm con rivestimento esterno in PVC.

**Accessori di serie:** flangia di ispezione

**Su richiesta:** Integrazione elettrica fino a 50 kW

### STAINLESS STEEL BUFFER TANKS

High **quality stainless** steel cylinders. Ideally designed for the storage of **DHW** and ideal for hot water systems that require particular high demands over a short period of time.

**Cylinder:** stainless steel AISI 316 L, internally and externally 100% pickled and passivated

Max. working pressure: 6 bar

Max. storage temperature: 95°C

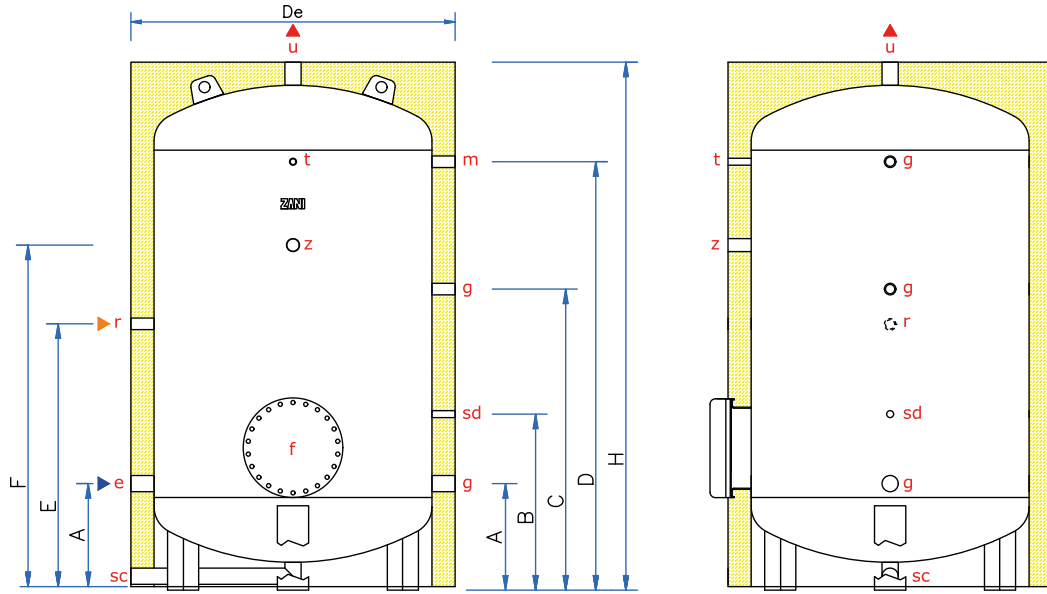
**Welding process:** PAW (**Plasma Arc Welding**) and TIG (**Tungsten Inert Gas**) welding process

**Insulation:** flexible polyurethane 100 mm with a removable outer PVC jacket.

**Standard accessories:** Inspection flange

**On request:** Stainless steel immersion heaters up to 50 kW

Suitable for **unvented/vented** systems.



**ATX-2 ÷ ATX-50**

e ENTRATA ACQUA FREDDA  
f FLANGIA DI ISPEZIONE  
g CONNESSIONE LIBERA  
m CONNESSIONE ANODO 1" 1/4  
r SCARICO  
sc RICIRCOLO  
sd POZZETTO SONDA/TERMOSTATO 1/2"  
u USCITA ACQUA CALDA  
z CONN. RESISTENZA EL. 1" 1/2

e COLD WATER FEED  
f INSPECTION FLANGE  
g FREE CONNECTION  
m ANODE CONNECTION 1" 1/4  
r DRAIN  
sc SECONDARY RETURN  
sd PROBE CONNECTION 1/2"  
u HOT WATER OUTLET  
z HEATING EL. CONN. 1" 1/2

**DATI TECNICI / TECHNICAL FEATURES**

Modello	Litri	Ø attacchi					f	Temperatura massima °C	Pressione massima serbatoio bar
		g-m	r	e-u	z	sd-t			
ATX-2	200	1"1/4	1"	1"	1"1/2	1/2"	220/300	95	6
ATX-3	300	1"1/4	1"	1"	1"1/2	1/2"	220/300	95	6
ATX-5	500	1"1/4	1"	1"	1"1/2	1/2"	220/300	95	6
ATX-8	800	1"1/4	1"1/4	1"1/4	1"1/2	1/2"	300/380	95	6
ATX-10	1000	1"1/4	1"1/4	1"1/4	1"1/2	1/2"	300/380	95	6
ATX-15	1500	1"1/4	1"1/4	1"1/2	1"1/2	1/2"	300/380	95	6
ATX-20	2000	1"1/4	1"1/4	2"	1"1/2	1/2"	350/430	95	6
ATX-25	2500	1"1/4	1"1/4	2"	1"1/2	1/2"	350/430	95	6
ATX-30	3000	1"1/4	1"1/4	2"	1"1/2	1/2"	350/430	95	6
ATX-40	4000	1"1/4	1"1/4	2"1/2	1"1/2	1/2"	350/430	95	6
ATX-50	5000	1"1/4	1"1/4	2"1/2	1"1/2	1/2"	350/430	95	6

Model	Litres	g-m	r	e-u	z	sd-t	f	Max working temperature °C	Tank max working pressure bar
		Ø connections							

**DIMENSIONI / DIMENSIONS**

Modello	Litri	A	B	C	D	E	F	H	De
ATX-2	200	275	575	915	1115	725	915	1470	650
ATX-3	300	295	595	965	1135	745	965	1510	750
ATX-5	500	270	570	1110	1670	970	1410	1950	800
ATX-8	800	395	695	1235	1545	970	1385	1920	990
ATX-10	1000	405	705	1245	1805	1105	1445	2190	1000
ATX-15	1500	425	725	1265	1815	1115	1455	2200	1200
ATX-20	2000	460	760	1300	1850	1150	1490	2280	1400
ATX-25	2500	460	760	1300	2100	1275	1600	2530	1400
ATX-30	3000	475	775	1315	2365	1415	1645	2800	1450
ATX-40	4000	530	830	1370	2400	1450	1680	2880	1600
ATX-50	5000	530	830	1370	2400	1450	1680	2910	1800

Model	Litres	A	B	C	D	E	F	H	De
-------	--------	---	---	---	---	---	---	---	----

**IMBALLO mm / PACKING mm**

Modello	Altezza	Larghezza	Profondità	Peso kg
ATX-2	1590	680	680	65
ATX-3	1630	780	780	75
ATX-5	2070	830	830	90
ATX-8	2040	1020	1020	130
ATX-10	2310	1030	1030	145
ATX-15	2320	1230	1230	220
ATX-20	2400	1430	1430	275
ATX-25	2650	1430	1430	330
ATX-30	2920	1480	1480	360
ATX-40	3000	1630	1630	510
ATX-50	3030	1830	1830	600

Model	Height	Width	Depth	Weight kg
-------	--------	-------	-------	-----------